

Specifications

Electrical

Frequency Range	2082-604X-dB	DC - 18 GHz
Frequency Range	2082-602X-dB	DC - 12.4 GHz
Frequency Range	2082-601X-dB	DC - 6 GHz
Attenuation Accuracy	0 to 6.0 dB	±0.30 dB
	7 to 20 dB	±0.50 dB
	21-30 dB	±0.75 dB
	40 dB	±1.00 dB
VSWR (MAX. For P/N Freq. Range)	DC - 4 GHz	1.15:1
	4 - 12.4 GHz	1.25:1
	12.4 - 18 GHz	1.35:1
Average/RMS Power Max.	2 Watts	
	Derate Power Linearly from 100% @ +25°C to 10% @ +125°	
Peak Power Max.	500 Watts	
	@ 5 μSeconds Pulse Width & 0.10% Duty Cycle	
Impedance	50 Ohms	
Temperature Range (Operating)	0° KELVIN TO +125° C	
	150° C STORAGE	

MECHANICAL

SMA CONNECTOR HOUSING _____ PASSIVATED STAINLESS STEEL
 CENTER CONTACT _____ GOLD PLATED BERYLLIUM COPPER
 RESISTIVE ELEMENT _____ THIN FILM HYBRID ON 99.6% ALUMINA SUBSTRATE

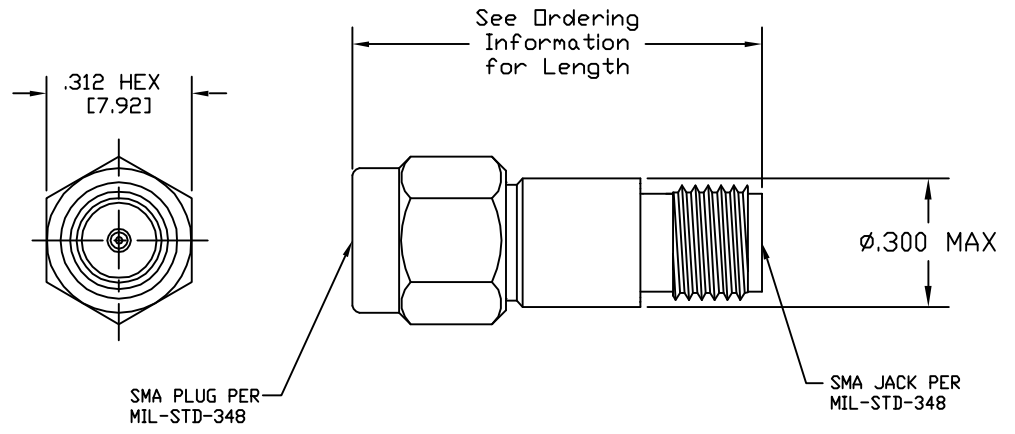
CONNECTOR INTERFACE IAW MIL-STD-348 & MIL-PRF-39012
 MATERIALS, FINISHES AND ENVIRONMENTAL CAPABILITIES MEET MIL-DTL-3933

Ordering Information:

Examples:
 2082-6042-10 = 10 dB, 18 GHz, 0.86" long
 2082-6020-01 = 1 dB, 12.4 GHz, 0.86" long
 2082-6013-12 = 12 dB, 6 GHz, 0.86" long
 2082-6013-13 = 13 dB, 6 GHz, 1.02" long

For DFAR Specialty Compliant versions, add "-DF" to part number.

REVISIONS				
REV	DESCRIPTION	ECD #	DATE	APPROVED
-	RELEASE	13-041	2/20/13	T. KUHN



Ordering Information				
dB Values	1 dB Steps, 18 GHz 2082:	1 dB Steps 12.4 GHz 2082:	1 dB Steps 6 GHz 2082:	Length Inch mm
-00/-03=0 / 3 dB	-6040-00/-03	-6020-00 thru -03	-6010-00 thru -03	0.86 [21.8]
-04/-06=4 / 6 dB	-6041-04/-06	-6021-04 thru -06	-6011-04 thru -06	0.86 [21.8]
-07/-10=7 / 10 dB	-6042-07/-10	-6022-07 thru -10	-6012-07 thru 10	0.86 [21.8]
-11/-12=11 / 12 dB	-6043-11 & -12	-6023-11 & -12	-6013-11 thru -12	0.86 [21.8]
-13 / -20 dB	-6043-13 thru -20	-6023-13 thru -20	-6013-13 thru/ -20	1.02 [25.9]
-25, -30 and -40 dB	-6044-25, -30 or -40	-6024-25, -30 & -40	-6014-25, -30, & -40	1.02 [25.9]
-50 dB	not available	not available	-6025-50 dB	1.02 [25.9]

DRAWING PRACTICES PER ANSI-Y14.5 UNLESS OTHERWISE SPECIFIED TOLERANCES IN: DECIMALS INCH DIMS SURFACE FINISHNESS 63 FINISH MATERIALS SEE NOTES THIS DRAWING INCORPORATES THIRD ANGLE PROJECTION INTERPRET IAW ANSI Y14.5-1982	UNLESS OTHERWISE SPECIFIED TOLERANCES IN: ANGLES ±0°30' REMOVE ALL BURRS/SHARP W/ BREAK / R OF .003" TO .0005" UNLESS OTHERWISE NOTED DIAS CONCENTRIC ±.003 T.I.R. DO NOT SCALE PRINT	DRAWN V. SHELBY 2/20/13 CHECKED T. KUHN 2/20/13 ENG APPR. T. KUHN 2/20/13 THESE DRAWINGS AND SPECIFICATIONS ARE THE PROPERTY OF XMA CORP. OR OMNI SPECTRA AND SHALL NOT BE REPRODUCED, COPIED NOR USED - IN WHOLE OR IN PART - AS A BASIS FOR THE MANUFACTURE OR SALE OF OTHER ITEMS WITHOUT THE EXPRESS WRITTEN PERMISSION OF XMA CORP.	DATE 2/20/13 DATE 2/20/13 DATE 2/20/13
--	---	---	--

XMA Powered by: Omni Spectra®
 Phone: 603-222-2256 Fax: 603-222-2259
 150 Dow Street, Manchester, NH 03101

ATTENUATOR, SMA, FIXED

SIZE c	CAGE CODE 3HT76	DRAWING NUMBER 2082-604X-dB-CRYO	REV -
SCALE 5:1	DATE 2/20/13	SHEET 1 OF 1	TEMPLATE REV -